

Product Change Notification

INDUCTIVE COMPONENTS


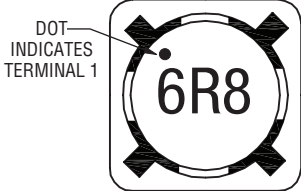


REVISED November 13, 2018

Bourns® Model SRF0703, SRF1260 & SRF1280 Series Dual-Winding Shielded Power Inductors

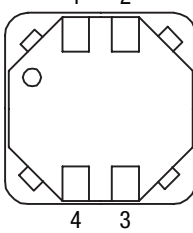
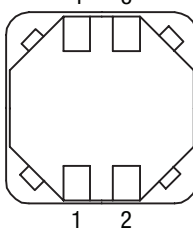
Terminal 1 Identification Marker Added

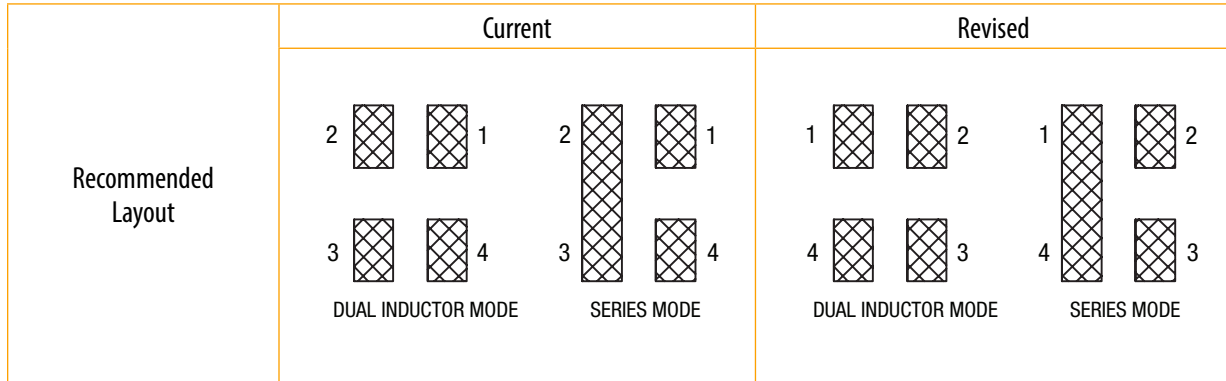
Bourns is making a change to the Model [SRF0703](#), [SRF1260](#) and [SRF1280](#) Series Dual-Winding Shielded Power Inductors to include an identification marker for Terminal 1. The new identification marker will help users identify the orientation of the component.

| | Current (No Terminal Dot) | Revised (Terminal Dot Added) |
|-----------------------------------|-----------------------------------------------------------------------------------------------------|-------------------------------------------------------------------------------------------------------|
| Terminal 1 Identification Mark |  <p>Top View</p> |  <p>Top View</p> |

On the data sheet, the terminal number assignment (shown below) will be rearranged to align with the Terminal 1 marker. These numbers are not marked on the actual part.

The mounting base mold injection mark, which appears as a cycle on the bottom view of the drawing, will be removed from data sheet.

| | Current | Revised |
|---------------------------------|--------------------------------------------------------------------------------------------------------|----------------------------------------------------------------------------------------------------------|
| Terminal 1 Number Assignment |  <p>Bottom View</p> |  <p>Bottom View</p> |



The products' form (appearance) will change due to the addition of the terminal dot marking. There will be no change to the fit, function, quality or reliability of the product.

Affected Part Numbers

| | | |
|--------------|--------------|--------------|
| SRF0703-100M | SRF1260-100M | SRF1280-100M |
| SRF0703-101M | SRF1260-101M | SRF1280-101M |
| SRF0703-102M | SRF1260-102M | SRF1280-102M |
| SRF0703-150M | SRF1260-150M | SRF1280-150M |
| SRF0703-151M | SRF1260-151M | SRF1280-151M |
| SRF0703-1R0M | SRF1260-1R0Y | SRF1280-1R0Y |
| SRF0703-1R5M | SRF1260-1R5Y | SRF1280-1R5Y |
| SRF0703-220M | SRF1260-220M | SRF1280-220M |
| SRF0703-221M | SRF1260-221M | SRF1280-221M |
| SRF0703-2R2M | SRF1260-2R2Y | SRF1280-2R2Y |
| SRF0703-330M | SRF1260-330M | SRF1280-330M |
| SRF0703-331M | SRF1260-331M | SRF1280-331M |
| SRF0703-3R3M | SRF1260-3R3Y | SRF1280-3R3Y |
| SRF0703-470M | SRF1260-470M | SRF1280-470M |
| SRF0703-471M | SRF1260-471M | SRF1280-471M |
| SRF0703-4R7M | SRF1260-4R7Y | SRF1280-4R7Y |
| SRF0703-680M | SRF1260-680M | SRF1280-680M |
| SRF0703-681M | SRF1260-681M | SRF1280-681M |
| SRF0703-6R8M | SRF1260-6R8Y | SRF1280-6R8Y |
| SRF0703-820M | SRF1260-820M | SRF1280-820M |
| SRF0703-821M | SRF1260-821M | SRF1280-821M |
| SRF0703-8R2M | SRF1260-8R2Y | SRF1280-8R2Y |
| SRF0703-R33M | SRF1260-R47Y | SRF1280-R47Y |

Implementation dates are as follows:

Date that manufacturing of existing products

*without the terminal dot will cease: **July 28, 2018***

*Date that deliveries of modified products will begin: **July 29, 2018***

*First date code using the above changes: **1831***

If you have any questions or need additional information, please feel free to contact [Customer Service/](#)
[Inside Sales](#).